



DIGITAL VOICE RECORDER

PUMA II

Quick Start Guide



POLICE SPECIAL

Power Supply

When the recorder is not being used, turn the power off to reduce battery consumption to a minimum. Even if the power is turned off, existing data, mode settings, and clock settings will be maintained.

Turning Off the Power

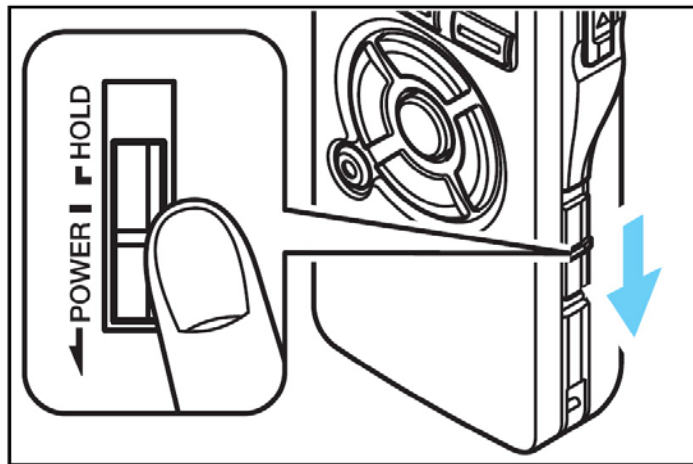
Slide the **POWER/HOLD** switch in the direction indicated by the arrow for 0.5 seconds or longer.

The display shuts off and the power will be turned off. The resume function remembers the stop position before the power is turned off.

Turning On the Power

While the recorder's power is off, slide the **POWER/HOLD** switch in the direction indicated by the arrow.

The power will be turned on. The resume function brings the recorder back to the stop position in memory before the power was turned off.

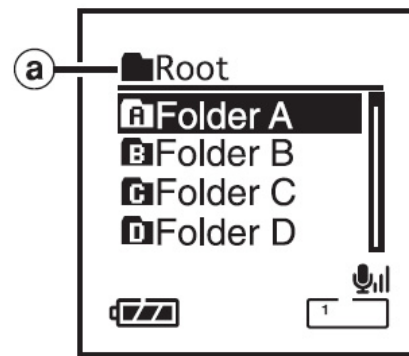
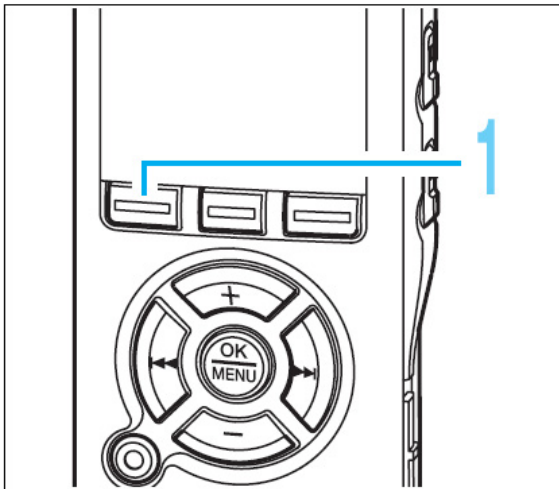


Power Save mode

If the recorder is on and stops for 10 minutes or longer (default), the display shuts off and it goes into power save mode. To exit power save, press any button.

Selecting a Folder

There are a total of eight folders in the recorder. Under the “Root” folder are **A** through **E**, “Audible” and “Music” folders, and recorded or transferred language and music data from a computer can be saved as “files”.



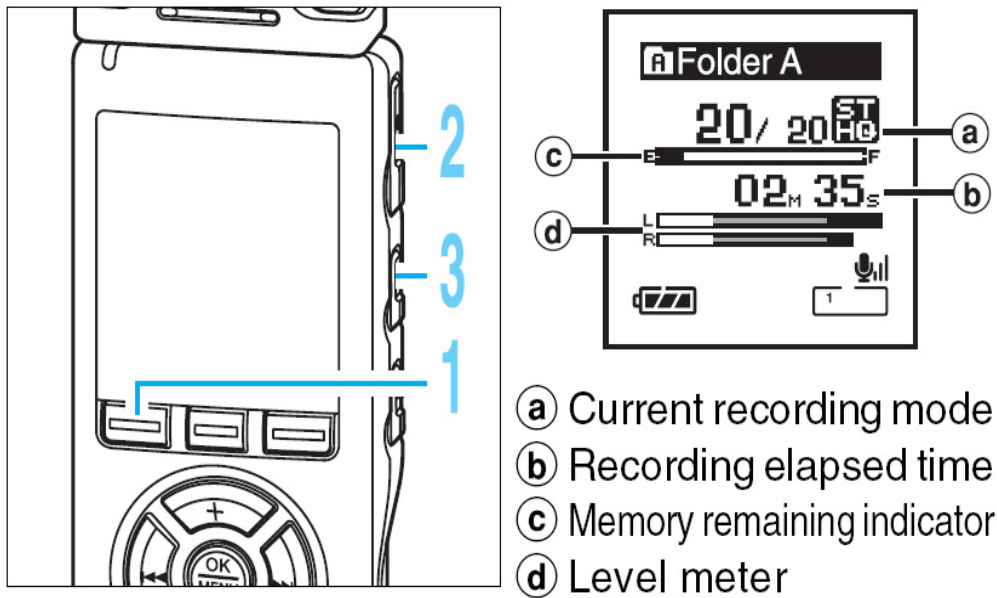
a Upper (selected) folder

1 While the recorder is stopped, press the **FOLDER** button to choose a folder. Every time the FOLDER button is pressed, the folder order will switch in the following sequence:



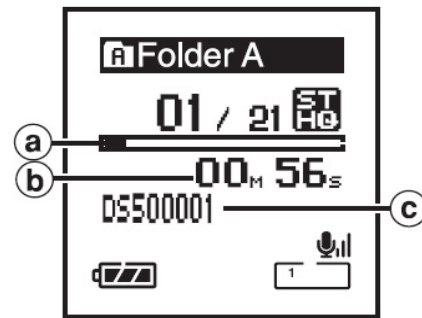
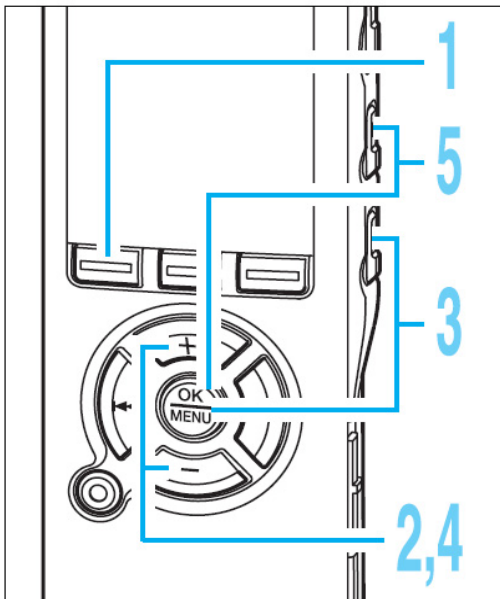
A through **E** are voice-recording folders, so choose one of these five folders when recording on this recorder.

Recording



- 1 Press the **FOLDER** button to choose a folder in which to make a recording.
- 2 Press the **REC** button to start recording. The record/play indicator light glows red.
- 3 Press the **STOP** button to stop recording.

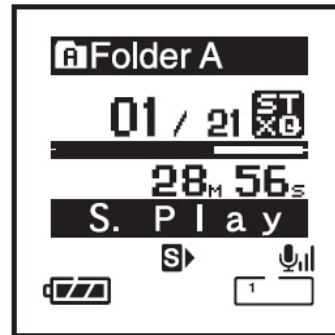
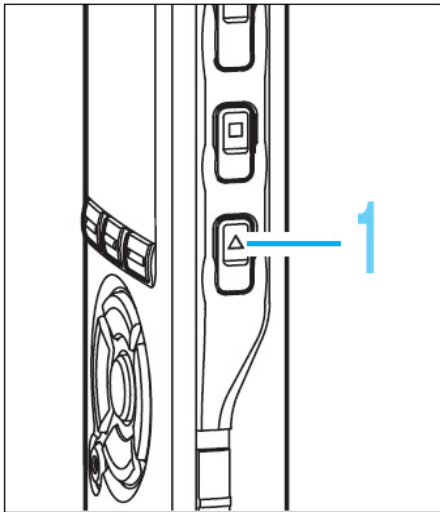
Playing



- (a) Play position bar indicator
- (b) Current playback time
- (c) File name (recording date and time) (title and name of artist for a music file)

- 1** Press the **FOLDER** button to choose a folder.
- 2** Press the **+** or **-** button to choose the file that you want to play. If the **9** button is pressed, the file display will open.
- 3** Press the **PLAY** or **OK** button to start playback. The record/play indicator light glows green.
- 4** Press the **+** or **-** button to select the proper sound volume.
- 5** Press the **STOP** or **OK** button at any point you want to stop the playback. Stop a file play back at any point. Press the **PLAY** or **OK** button to start playing back from where it was stopped.

Changing the Playback Speed



1

Press the **PLAY** button during playback.

Every time the PLAY button is pressed, the playback speed will switch.


Regular Play:

Playback at normal speed.

S. Play (slow playback):

Playback speed slows down, and  will turn on (default at 0.75 times as fast).

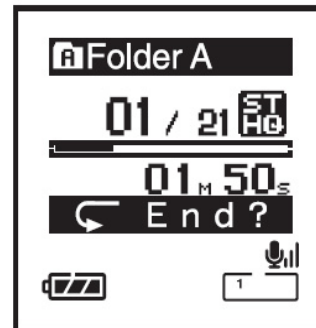
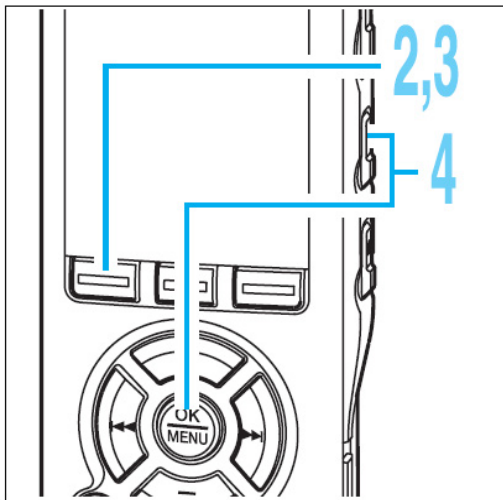
F. Play (fast playback):

Playback speed becomes faster, and  will turn on (default at 1.5 times as fast).

Even if playback is stopped, the changed playback speed will be retained. The next playback will be at that speed.

Playback speeds cannot be switched when the Noise Cancel function is turned on. Refer to the instruction manual for more information.

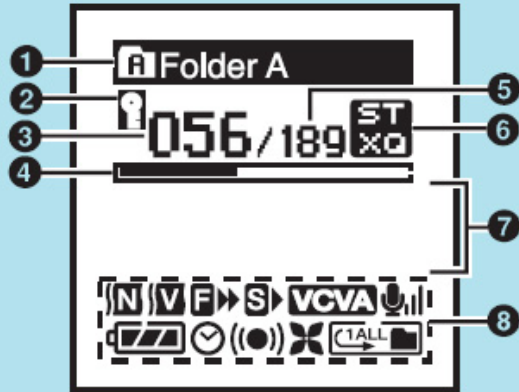
How to begin segment repeat playback



- 1** Play back the file for a segment repeat playback.
- 2** Press the **A-BC** button at the point you want to start segment repeat playback. "↶ End?" will flash on the display.
- 3** Press the **A-BC** button again at the position where you want to end segment repeat playback.
The "↶ Play" message appears, and repeat playback will start. The recorder repeatedly plays back the segment until the segment repeat playback is canceled.
- 4** Press the **OK** or **STOP**.
Pressing the OK or STOP button will release segment repeat playback and stop playback.

Display (LCD Panel)

- ① Folder name indicator
- ② Erase lock indicator
- ③ Current file number
- ④ Play position bar indicator
- ⑤ Total number of recorded files in the folder



- ⑥ Record mode indicator
- ⑦ Character information display
- ⑧ Icon display

- N** Noise Cancel indicator
- V** Voice Filter indicator
- F** F. Play indicator
- S** S. Play indicator
- VCVA** VCVA (Variable Control Voice Actuator) indicator

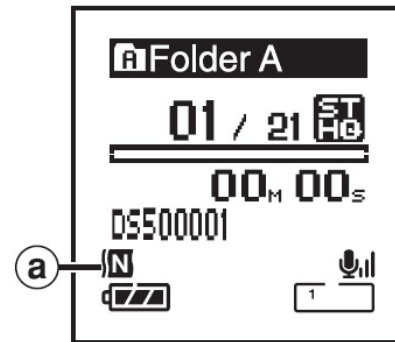
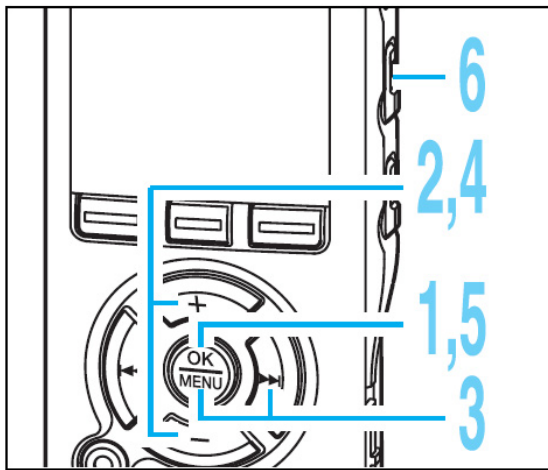
- Microphone sensitivity indicator
- Battery indicator
- Timer indicator
- Alarm indicator
- Low Cut Filter indicator
- Play Mode indicator



Versatile Information Products, Inc.
 3630 Park Sierra Dr.
 Riverside CA 92505
 1-800-794-4044

www.pumarecorders.com

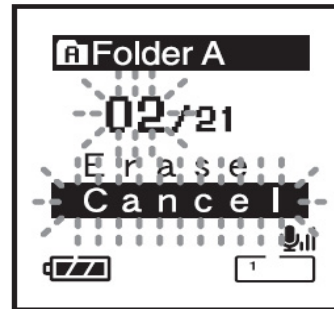
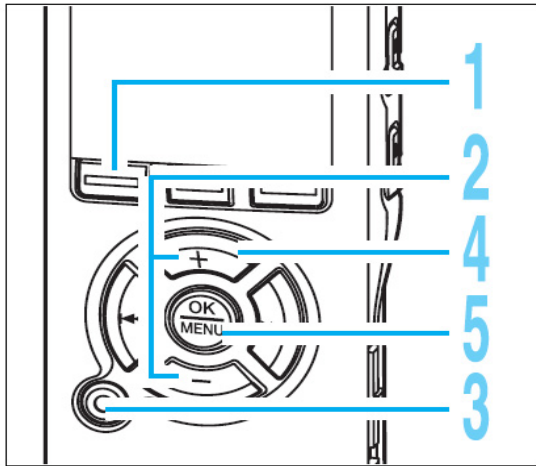
Noise Cancel Function



Ⓐ Noise Cancel indicator

- 1 While the recorder is stopped or during playback, press the **MENU** button for 1 second or longer.
- 2 Press the **+** or **-** button to choose "Noise Cancel".
- 3 Press the **OK** or **▶▶** button. The noise cancel setup process begins.
- 4 Press the **+** or **-** button to choose between "High" "Low" and "Off".
If the recorder goes to the menu screen during playback, move the cursor to change playback sound accordingly.
- 5 Press the **OK** button to complete the setup screen.
- 6 Press the **STOP** button to close the menu.
The **N** will appear on the display.
Noise Cancel is not available while the Fast playback/Slow playback and Voice Filter.

Erase

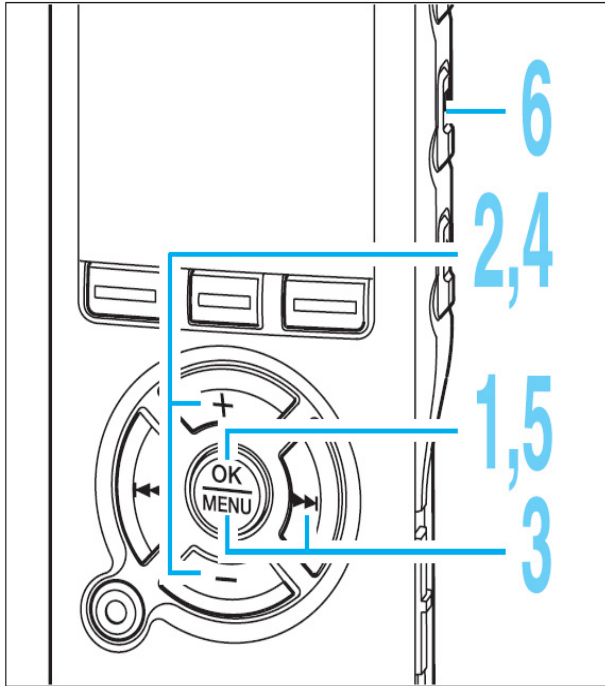


- 1** Press the **FOLDER** button to choose a folder.
- 2** Press the **+** or **-** button to choose the file you want to erase.
- 3** Press the **ERASE** button.
The "Cancel" indicator flashes.
- 4** Press the **+** button to choose "Erase".
- 5** Press the **OK** button.
The display changes to "File Erase!" and erasing will start. "Erase Done" is displayed when the file is erased. File numbers will be reassigned automatically.

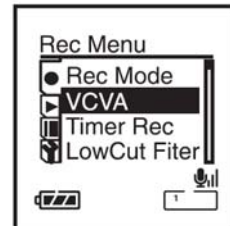
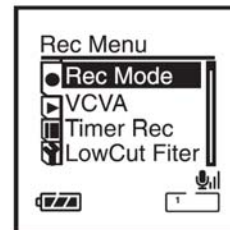
You can erase all files in the folder. Refer to the Reference Manual for more information.

Other Function

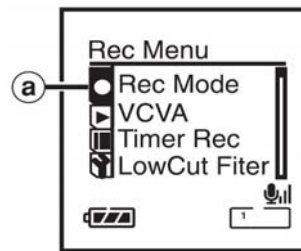
Items in menus are categorized by tabs, so select a tab first and move to a desired item to quickly set it. You can set each menu item as follows.



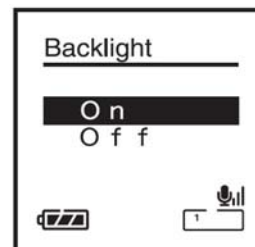
- 1** While the recorder is stopped, press the **MENU** button for 1 second or longer.
The menu opens.
- 2** Press the **+** or **-** button to move to the item to be set.



- ① Press the **⏪** button for each item to move to a tab.
a - Selected tab
- ② Press the + or - button to move to the tab that contains the item you want to set.
- ③ Press the **▶▶** or OK button to move to the item you want to set.



- 3** Press the **OK** or **▶▶** button.
Moves to the setting of the selected item.
- 4** Press the + or - button to change the setting.
- 5** Press the **OK** button to complete the setup screen.
If the **⏪** button is pressed, the setting will be canceled and it will return to the menu.



- 6** Press the **STOP** button to close the menu.